



wstyler

# Product Catalog

A MEMBER OF HAVER & BOECKER

# TABLE OF CONTENTS

Information/Guide USA Test Sieving Specification.....	3
Test Sieves-supplied with serial # and matching test sieve Certificate of Compliance.	
8" Diameter .....	4
12" Diameter .....	5
3" Diameter .....	6
Gold Series .....	6
200mm Diameter .....	7
6" Diameter .....	8
10" Diameter .....	8
18" Diameter .....	9
Special Test Sieve Products (Wet Wash).....	9
Test Sieve Cleaning Brushes.....	9
Air Jet Test Sieves .....	10
NEW! Alpine Smart Test Sieves .....	10
<b>W.S. Tyler</b> Sieving Software .....	11
NEW! Alpine e200LS .....	11
Laboratory Services.....	12 & 13
<b>RO-TAP</b> ® RX-29 & <b>RO-TAP</b> ® RX-30 Test Sieve Shakers .....	14
<b>RO-TAP</b> ® Conversion Kits .....	14
<b>RO-TAP</b> ® Maintenance Kits .....	15
<b>RO-TAP</b> ® RX-29-E & <b>RO-TAP</b> ® RX-30-E Test Siever Shakers.....	15
<b>RO-TAP</b> ® RX-94 Test Sieve Shaker.....	16
NEW! RX-812 Coarse Sieve Shaker .....	16
Sound Enclosure Cabinets & Test Stand.....	17
Rotary Sifter RX-20 .....	17
Sieving Accessories.....	18
Sampling Devices.....	19
Spinning Riffler .....	19
<b>RO-TAP</b> ® RX-29 & RX-30 Parts Diagram.....	20
<b>RO-TAP</b> ® RX-29 & RX-30 Parts List .....	21
<b>RO-TAP</b> ® RX-94 Parts Diagram .....	22
<b>RO-TAP</b> ® RX-94 Parts List.....	23
RX-812 Coarse Sieve Shaker Parts Diagram .....	24
RX-812 Coarse Sieve Shaker Parts List .....	25
Computerized Particle Analysis Technology (CPA) .....	26
Traceable Document of Certification (Sample).....	IBC

## CATALOG NOTES:

1. Prices shown are suggested list prices.
2. Prices are subject to change without prior notice.
3. Freight Terms: F.O.B. Mentor, Ohio.

**W.S. Tyler**® and **RO-TAP**® are registered trademarks of Haver Tyler, Inc.

© Copyright 2015, Haver Tyler, Inc. All rights Reserved

# INFORMATION/GUIDE FOR TEST SIEVING

For information regarding specific specifications, please refer to Standards ASTM E11-09 & ISO 565, 3310-1

Standard (1)	Sieve Designation Alternative (2)	Nominal Sieve Opening, in. (3)	Permissible Variation in Openings (4)	Opening Dimension not more than 5% of the Openings (5)	Maximum Individual Opening (6)	Nominal Wire Diameter, mm (7)
125 mm	5 in.	5	± 3.66 mm	130.00 mm	130.9 mm	8.00
106 mm	4.24 in.	4.24	± 3.12 mm	110.2 mm	111.1 mm	6.30
100 mm	4 in.	4	± 2.94 mm	104.0 mm	104.8 mm	6.30
90 mm	3-1/2 in.	3.5	± 2.70 mm	93.6 mm	94.4 mm	6.30
75 mm	3 in.	3	± 2.20 mm	78.1 mm	78.7 mm	6.30
63 mm	2-1/2 in.	2.5	± 1.90 mm	65.6 mm	66.2 mm	5.60
53 mm	2.12 in.	2.12	± 1.60 mm	55.2 mm	55.7 mm	5.00
50 mm	2 in.	2	± 1.50 mm	52.1 mm	52.6 mm	5.00
45 mm	1-3/4 in.	1.75	± 1.40 mm	46.9 mm	47.4 mm	4.50
37.5 mm	1-1/2 in.	1.5	± 1.10 mm	39.1 mm	39.5 mm	4.50
31.5 mm	1-1/4 in.	1.25	± 1.00 mm	32.9 mm	33.2 mm	4.00
26.5 mm	1.06 in.	1.06	± .800 mm	27.7 mm	28.0 mm	3.55
25.0 mm	1.00 in.	1	± .800 mm	26.1 mm	26.4 mm	3.55
22.4 mm	7/8 in.	0.875	± .700 mm	23.4 mm	23.7 mm	3.55
19.0 mm	3/4 in.	0.750	± .600 mm	19.9 mm	20.1 mm	3.15
16.0 mm	5/8 in.	0.625	± .500 mm	16.7 mm	17.0 mm	3.15
13.2 mm	0.530 in.	0.530	± .410 mm	13.83 mm	14.05 mm	2.80
12.5 mm	1/2 in.	0.500	± .390 mm	13.10 mm	13.31 mm	2.50
11.2 mm	7/16 in.	0.438	± .350 mm	11.75 mm	11.94 mm	2.50
9.5 mm	3/8 in.	0.375	± .300 mm	9.97 mm	10.16 mm	2.24
8.0 mm	5/16 in.	0.312	± .250 mm	8.41 mm	8.58 mm	2.00
6.7 mm	0.265 in.	0.265	± .210 mm	7.05 mm	7.20 mm	1.80
6.3 mm	1/4 in.	0.250	± .200 mm	6.64 mm	6.78 mm	1.80
5.6 mm	No. 3-1/2 (E)	0.223	± .180 mm	5.90 mm	6.04 mm	1.60
4.75 mm	No. 4	0.187	± .150 mm	5.02 mm	5.14 mm	1.60
4.00 mm	No. 5	0.157	± .130 mm	4.23 mm	4.35 mm	1.40
3.35 mm	No. 6	0.132	± .110 mm	3.55 mm	3.66 mm	1.25
2.80 mm	No. 7	0.110	± .095 mm	2.975 mm	3.070 mm	1.12
2.36 mm	No. 8	0.0937	± .080 mm	2.515 mm	2.600 mm	1.00
2.00 mm	No. 10	0.0787	± .070 mm	2.135 mm	2.215 mm	0.900
1.7 mm	No. 12	0.0661	± .060 mm	1.820 mm	1.890 mm	0.800
1.4 mm	No. 14	0.0555	± .050 mm	1.505 mm	1.565 mm	0.710
1.18 mm	No. 16	0.0469	± .045 mm	1.270 mm	1.330 mm	0.630
1.00 mm	No. 18	0.0394	± .040 mm	1.080 mm	1.135 mm	0.560
850 μm	No. 20	0.0331	± 35 μm	925 μm	970 μm	0.500
710 μm	No. 25	0.0278	± 30 μm	775 μm	815 μm	0.450
600 μm	No. 30	0.0234	± 25 μm	660 μm	695 μm	0.400
500 μm	No. 35	0.0197	± 20 μm	550 μm	585 μm	0.315
425 μm	No. 40	0.0165	± 19 μm	471 μm	502 μm	0.280
355 μm	No. 45	0.0139	± 16 μm	396 μm	426 μm	0.224
300 μm	No. 50	0.0117	± 14 μm	337 μm	363 μm	0.200
250 μm	No. 60	0.0098	± 12 μm	283 μm	306 μm	0.160
212 μm	No. 70	0.0083	± 10 μm	242 μm	263 μm	0.140
180 μm	No. 80	0.0070	± 9 μm	207 μm	227 μm	0.125
150 μm	No. 100	0.0059	± 8 μm	174 μm	192 μm	0.100
125 μm	No. 120	0.0049	± 7 μm	147 μm	163 μm	0.090
106 μm	No. 140	0.0041	± 6 μm	126 μm	141 μm	0.071
90 μm	No. 170	0.0035	± 5 μm	108 μm	122 μm	0.063
75 μm	No. 200	0.0029	± 5 μm	91 μm	103 μm	0.050
63 μm	No. 230	0.0025	± 4 μm	77 μm	89 μm	0.045
53 μm	No. 270	0.0021	± 4 μm	66 μm	76 μm	0.036
45 μm	No. 325	0.0017	± 3 μm	57 μm	66 μm	0.032
38 μm	No. 400	0.0015	± 3 μm	48 μm	57 μm	0.030
32 μm	No. 450	0.0012	± 3 μm	42 μm	50 μm	0.028
25 μm	No. 500	0.0010	± 3 μm	34 μm	41 μm	0.025
20 μm	No. 635	0.0008	± 3 μm	29 μm	35 μm	0.020

A - These Standard designations correspond to the values for test sieve openings recommended by the International Standards Organization, Geneva, Switzerland, except where noted.

B - Only approximately equivalent to the metric values in Column 1.

C - The average diameter of the wires in the x and y direction, measured separately, of any wire cloth shall not deviate from the nominal values by more than +/- 15%.

D - These sieves are not in the standard series but they have been included because they are in common usage.

E - These numbers (3-1/2 to 635) are the approx. number of openings per linear in. but it is preferred that the sieve be identified by the standard designation in millimeters or micronmeters.

F - 1000 μm - 1 mm

# 8" DIAMETER TEST SIEVES

DESIGNATION		STAINLESS FRAME – STAINLESS CLOTH			BRASS FRAME – STAINLESS CLOTH			BRASS FRAME – BRASS CLOTH		
U.S.A.	METRIC	FULL HT. PART #	HALF HT. PART #		FULL HT. PART #	HALF HT. PART #		FULL HT. PART #	HALF HT. PART #	
4"	00 mm	5167	—		4835	—				
3-1/2"	90 mm	5168	—		4836	—				
3"	75 mm	5169	—		4837	—				
2-1/2"	63 mm	5170	—		4838	—				
2.12"	53 mm	5171	—		4839	—				
2"	50 mm	5172	—		4840	—				
1-3/4"	45 mm	5173	—		4841	—				
1-1/2"	37.5 mm	5174	—		4842	—				
1-1/4"	31.5 mm	5175	—		4843	—				
1.06"	26.5 mm	5176	—		4844	—				
1"	25.0 mm	5177	—		4845	—				
7/8"	22.4 mm	5178	—		4846	—				
3/4"	19.0 mm	5179	—		4847	—				
5/8"	16.0 mm	5180	—		4848	—				
.530"	13.2 mm	5181	—		4849	—				
1/2"	12.5 mm	5182	—		4850	—				
7/16"	11.2 mm	5183	—		4851	—				
3/8"	9.5 mm	5184	—		4852	—				
5/16"	8.0 mm	5185	—		4853	—				
.265"	6.7 mm	5186	—		4854	—				
1/4"	6.3 mm	5187	5353		4855	5021				
No. 3-1/2	5.6 mm	5188	5354		4856	5022				
No. 4	4.75 mm	5189	5355		4857	5023				
No. 5	4.0 mm	5190	5356		4858	5024				
No. 6	3.35 mm	5191	5357		4859	5025				
*1/8"	3.15 mm	2058	3279		3281	2059				
No. 7	2.8 mm	5192	5358		4860	5026				
No. 8	2.36 mm	5193	5359		4861	5027	4529	4695		
No. 10	2.0 mm	5194	5360		4862	5028	4530	4696		
No. 12	1.7 mm	5195	5361		4863	5029	4531	4697		
No. 14	1.4 mm	5196	5362		4864	5030	4532	4698		
No. 16	1.18 mm	5197	5363		4865	5031	4533	4699		
No. 18	1.0 mm	5198	5364		4866	5032	4534	4700		
No. 20	850 micron	5199	5365		4867	5033	4535	4701		
No. 25	710 micron	5200	5366		4868	5034	4536	4702		
No. 30	600 micron	5201	5367		4869	5035	4537	4703		
No. 35	500 micron	5202	5368		4870	5036	4538	4704		
No. 40	425 micron	5203	5369		4871	5037	4539	4705		
No. 45	355 micron	5204	5370		4872	5038	4540	4706		
No. 50	300 micron	5205	5371		4873	5039	4541	4707		
No. 60	250 micron	5206	5372		4874	5040	4542	4708		
No. 70	212 micron	5207	5373		4875	5041	4543	4709		
No. 80	180 micron	5208	5374		4876	5042	4544	4710		
No. 100	150 micron	5209	5375		4877	5043	4545	4711		
No. 120	125 micron	5210	5376		4878	5044	4546	4712		
No. 140	106 micron	5211	5377		4879	5045	4547	4713		
No. 170	90 micron	5212	5378		4880	5046	4548	4714		
No. 200	75 micron	5213	5379		4881	5047	4549	4715		
No. 230	63 micron	5214	5380		4882	5048	4550	4716		
No. 270	53 micron	5215	5381		4883	5049	4551	4717		
No. 325	45 micron	5216	5382		4884	5050	4552	4718		
No. 400	38 micron	5217	5383		4885	5051				
No. 450	32 micron	5256	5389		4887	2113				
No. 500	25 micron	5218	5384		4886	5052				
No. 635	20 micron	5257	5391		2295	2296				

- Overall Height – Full: 2-5/8"; Half: 1-5/8".
- Depth to Cloth – Full: 2"; Half: 1".
- See Pages 12 and 13 for value added NIST Traceable Certification Services.

Note: 35 mesh backing cloth is available on test sieves 100 mesh and finer.

\*1/8" opening is not included in ASTM E 11 Standard.

TOP COVERS		PART #
ITEM		
Stainless		8496
Stainless w. Ring		8497
Brass		8487
Brass w. Ring		8488

BOTTOM PANS		PART #
ITEM		
Stainless – Full Ht.		8491
Stainless – Half Ht.		8492
Stainless w. Skirt – Full Ht.		8493
Stainless w. Skirt – Half Ht.		8494
Brass – Full Ht.		8481
Brass – Half Ht.		8482
Brass w. Skirt – Full Ht.		8483
Brass w. Skirt – Half Ht.		8484



# 12" DIAMETER TEST SIEVES

DESIGNATION		STAINLESS FRAME — STAINLESS CLOTH			BRASS FRAME — STAINLESS CLOTH			BRASS FRAME — BRASS CLOTH		
U.S.A.	METRIC	FULL HT. PART #	INTER. HT. PART #	HALF HT. PART #	FULL HT. PART #	INTER. HT. PART #	HALF HT. PART #	FULL HT. PART #	HALF HT. PART #	
4"	100 mm	6635	2300	6801	6967	7200	2297			
3-1/2"	90 mm	6636	9109	6802	6968	7201	2298			
3"	75 mm	6637	2155	6803	6969	7202	7135			
2-1/2"	63 mm	6638	9281	6804	6970	7203	7136			
2.12"	53 mm	6639	2301	6805	6971	7204	7137			
2"	50 mm	6640	9282	6806	6972	7205	7138			
1-3/4"	45 mm	6641	6705	6807	6973	7206	7139			
1-1/2"	37.5 mm	6642	9193	6808	6974	7207	7140			
1-1/4"	31.5 mm	6643	9194	6809	6975	7208	7141			
1.06"	26.5 mm	6644	2302	6810	6976	7209	7142			
1"	25.0 mm	6645	9195	6811	6977	7210	7143			
7/8"	22.4 mm	6646	6704	6812	6978	7211	7144			
3/4"	19.0 mm	6647	9196	6813	6979	7212	7145			
5/8"	16.0 mm	6648	9411	6814	6982	7213	7146			
.530"	13.2 mm	6649	9431	6815	6981	7214	7147			
1/2"	12.5 mm	6650	9197	6816	6982	7215	7148			
7/16"	11.2 mm	6651	6702	6817	6983	7216	7149			
3/8"	9.5 mm	6652	9198	6818	6984	7217	7150			
5/16"	8.0 mm	6653	6703	6819	6985	7218	7151			
.265"	6.7 mm	6654	2303	6820	6986	7219	7152			
1/4"	6.3 mm	6655	9199	6821	6987	7220	7153			
No.3-1/2	5.6 mm	6656	2218	6822	6988	7221	7154			
No. 4	4.75 mm	6657	9280	6823	6989	7222	7155			
No. 5	4.0 mm	6658	9098	6824	6990	7223	7156			
No. 6	3.35 mm	6659	9113	6825	6691	7224	7157			
*1/8"	3.15 mm	2761	—	2486	2573	2486	3293			
No. 7	2.8 mm	6660	9099	6826	6992	7225	7158			
No. 8	2.36 mm	6661	9100	6827	6993	7226	7159	6329	6495	
No. 10	2.0 mm	6662	9214	6828	6994	7227	7160	6330	6496	
No. 12	1.7 mm	6663	9136	6829	6995	7228	7161	6331	6497	
No. 14	1.4 mm	6664	9271	6830	6996	7229	7162	6332	6498	
No. 16	1.18 mm	6665	9148	6831	6997	7230	7163	6333	6499	
No. 18	1.0 mm	6666	9079	6832	6998	7231	7164	6334	6500	
No. 20	850 micron	6667	9080	6833	6999	7232	7165	6335	6501	
No. 25	710 micron	6668	9081	6834	7000	7233	7166	6336	6502	
No. 30	600 micron	6669	9082	6835	7001	7234	7167	6337	6503	
No. 35	500 micron	6670	9083	6836	7002	7235	7168	6338	6504	
No. 40	425 micron	6671	9084	6837	7003	7236	7169	6339	6505	
No. 45	355 micron	6672	9085	6838	7004	7237	7170	6340	6206	
No. 50	300 micron	6673	9086	6839	7005	7238	7171	6341	6507	
No. 60	250 micron	6674	9087	6840	7006	7239	7172	6342	6508	
No. 70	212 micron	6675	9149	6841	7007	7240	7173	6343	6509	
No. 80	180 micron	6676	9215	6842	7008	7241	7174	6344	6510	
No. 100	150 micron	6677	9088	6843	7009	7242	7175	6345	6511	
No. 120	125 micron	6678	9089	6844	7010	7243	7176	6346	6512	
No. 140	106 micron	6679	9010	6845	7011	7244	7177	6347	6513	
No. 170	90 micron	6680	9090	6846	7012	7245	7178	6348	6514	
No. 200	75 micron	6681	9091	6847	7013	7246	7179	6349	6515	
No. 230	63 micron	6682	9092	6848	7014	7247	7180	6350	6516	
No. 270	53 micron	6683	9093	6849	7015	7248	7181	6351	6517	
No. 325	45 micron	6684	9094	6850	7016	7249	7182	6352	6518	
No. 400	38 micron	6685	9013	6851	7017	7250	7183			
No. 450	32 micron	6762	2304	6856	2299	7251	2153			
No. 500	25 micron	6686	9212	6852	7018	7252	7184			

- Overall Height – Full: 4-1/4"; Intermediate: 3"; Half: 2-5/8".
- Depth to Cloth – Full: 3-1/4"; Intermediate: 2"; Half: 1-5/8".
- See Pages 12 and 13 for value added NIST Traceable Certification Services.

Note: 35 mesh backing cloth is available on test sieves  
100 mesh and finer.

TOP COVERS		
ITEM	PART #	
Stainless	8536	
Stainless w. Ring	8537	
Brass	8530	
Brass w. Ring	8531	

BOTTOM PANS		
ITEM	PART #	
Stainless – Full Ht.	8532	
Stainless – Half Ht.	8533	
Stainless w. Skirt – Full Ht.	8534	
Stainless w. Skirt – Half Ht.	8535	
Brass – Full Ht.	8526	
Brass – Half Ht.	8527	
Brass w. Skirt – Full Ht.	8528	
Brass w. Skirt – Half Ht.	8529	

## 3" DIAMETER TEST SIEVES

DESIGNATION		STAINLESS FRAME – STAINLESS CLOTH			BRASS FRAME – STAINLESS CLOTH		
U.S.A.	METRIC	FULL HT. PART #	HALF HT. PART #		FULL HT. PART #	HALF HT. PART #	
No. 3-1/2	5.6 mm	1285	1700		1534	1617	
No. 4	4.75 mm	1286	1701		1535	1618	
No. 5	4.0 mm	1287	1702		1536	1619	
No. 6	3.35 mm	1288	1703		1537	1620	
No. 7	2.8 mm	1289	1704		1538	1621	
No. 8	2.36 mm	1290	1705		1539	1622	
No. 10	2.0 mm	1291	1706		1540	1623	
No. 12	1.7 mm	1292	1707		1541	1624	
No. 14	1.4 mm	1293	1708		1542	1625	
No. 16	1.18 mm	1294	1709		1543	1626	
No. 18	1.0 mm	1295	1710		1544	1627	
No. 20	850 micron	1296	1711		1545	1628	
No. 25	710 micron	1297	1712		1546	1629	
No. 30	600 micron	1298	1713		1547	1630	
No. 35	500 micron	1299	1714		1548	1631	
No. 40	425 micron	1300	1715		1549	1632	
No. 45	355 micron	1301	1716		1550	1633	
No. 50	300 micron	1302	1717		1551	1634	
No. 60	250 micron	1303	1718		1552	1635	
No. 70	212 micron	1304	1719		1553	1636	
No. 80	180 micron	1305	1720		1554	1637	
No. 100	150 micron	1306	1721		1555	1638	
No. 120	125 micron	1307	1722		1556	1639	
No. 140	106 micron	1308	1723		1557	1640	
No. 170	90 micron	1309	1724		1558	1641	
No. 200	75 micron	1310	1725		1559	1642	
No. 230	63 micron	1311	1726		1560	1643	
No. 270	53 micron	1312	1727		1561	1644	
No. 325	45 micron	1313	1728		1562	1645	
No. 400	38 micron	1314	1729		1563	1646	
No. 450	32 micron	1324	1730		1565	1648	
No. 500	25 micron	1315	1731		1564	1647	
No. 635	20 micron	1325	1732		1566	1649	

- Overall Height – Full: 1-3/4"; Half: 1-1/4".
- Depth to Cloth – Full: 1-1/4"; Half: 5/8".
- See Pages 12 and 13 for NIST Traceable Certification Services.

TOP COVERS		
ITEM	PART #	
Stainless	8411	
Stainless w. Ring	8412	
Brass	8405	
Brass w. Ring	8406	

BOTTOM PANS		
ITEM	PART #	
Stainless – Full Ht.	8407	
Stainless – Half Ht.	8408	
Stainless w. Skirt – Full Ht.	8409	
Stainless w. Skirt – Half Ht.	8410	
Brass - Full Ht.	8401	
Brass - Half Ht.	8402	
Brass w. Skirt - Full Ht.	8403	
Brass w. Skirt - Half Ht.	8404	

## GOLD SERIES TEST SIEVES

- Guarantees that the permissible variation of average opening as allowed by ASTM E-11 is reduced by 50%.
- Designed as “masters” for internal quality assurance programs (8" diameter).
- Each test sieve is optically examined, serialized, and supplied with complete NIST traceable documents.



DESIGNATION		STAINLESS FRAME-STAINLESS CLOTH		
U.S.A.	METRIC	FULL HT. PART #	HALF HT. PART #	
No. 20	850 micron	5199G	5365G	
No. 25	710 micron	5200G	5366G	
No. 30	600 micron	5201G	5367G	
No. 35	500 micron	5202G	5368G	
No. 40	425 micron	5203G	5369G	
No. 45	355 micron	5204G	5370G	
No. 50	300 micron	5205G	5371G	
No. 60	250 micron	5206G	5372G	
No. 70	212 micron	5207G	5373G	
No. 80	180 micron	5208G	5374G	
No. 100	150 micron	5209G	5375G	
No. 120	125 micron	5210G	5376G	
No. 140	106 micron	5211G	5377G	
No. 170	90 micron	5212G	5378G	
No. 200	75 micron	5213G	5379G	
No. 230	63 micron	5214G	5380G	
No. 270	53 micron	5215G	5381G	
No. 325	45 micron	5216G	5382G	
No. 400	38 micron	5217G	5383G	
No. 500	25 micron	5218G	5384G	

# 200mm DIAMETER TEST SIEVES

DESIGNATION		STAINLESS FRAME — STAINLESS CLOTH		BRASS FRAME — STAINLESS CLOTH	
METRIC	U.S.A	FULL HT. PART #	HALF HT. PART #	FULL HT. PART #	HALF HT. PART #
37.5 mm	1-1/2"	7256	7340	9714	9814
31.5 mm	1-1/4"	7257	7341	9715	9815
28.0 mm	—	7258	7342	9716	9816
26.5 mm	1.06"	7259	7343	9717	9817
25.0 mm	1"	7260	7344	9718	9818
22.4 mm	7/8"	7261	7345	9719	9819
20.0 mm	—	7262	7346	9720	9820
19.0 mm	3/4"	7363	7347	9721	9821
18.0 mm	—	7264	7348	9722	9822
16.0 mm	5/8"	7265	7349	9723	9823
14.0 mm	—	7266	7350	9724	9824
13.2 mm	.530"	7267	7351	9725	9825
12.5 mm	1/2"	7268	7352	9726	9826
11.2 mm	7/16"	7269	7353	9727	9827
10.0 mm	—	7270	7354	9728	9828
9.5 mm	3/8"	7271	7355	9729	9829
9.0 mm	—	7272	7356	9730	9830
8.0 mm	5/16"	7273	7357	9731	9831
7.1 mm	—	7274	7358	9732	9832
6.7 mm	.265"	7275	7359	9733	9833
6.3 mm	1/4"	7276	7360	9734	9834
5.6 mm	No. 3 1/2"	7277	7361	9735	9835
5.0 mm	—	7278	7362	9736	9836
4.75 mm	No. 4	7279	7363	9737	9837
4.5 mm	—	7280	7364	9738	9838
4.0 mm	No. 5	7281	7365	9739	9839
3.55 mm	—	7282	7366	9740	9840
3.35 mm	No. 6	7283	7367	9741	9841
3.15 mm	—	7284	7368	9742	9842
2.8 mm	No. 7	7285	7369	9508	9608
2.5 mm	—	7286	7370	9509	9609
2.36 mm	No. 8	7287	7371	9510	9610
2.24 mm	—	7288	7372	9511	9611
2.0 mm	No. 10	7289	7373	9512	9612
1.8 mm	—	7290	7374	9513	9613
1.7 mm	No. 12	7291	7375	9514	9614
1.6 mm	—	7292	7376	9515	9615
1.4 mm	No. 14	7293	7377	9516	9616
1.25 mm	—	7294	7378	9517	9617
1.18 mm	No. 16	7295	7379	9518	9618
1.12 mm	—	7296	7380	9519	9619
1.00 mm	No. 18	7297	7381	9520	9620
900 micron	—	7298	7382	9521	9621
850 micron	No. 20	7299	7383	9522	9622
800 micron	—	7300	7384	9523	9623
710 micron	No. 25	7301	7385	9524	9624
630 micron	—	7302	7386	9525	9625
600 micron	No. 30	7303	7387	9526	9626
560 micron	—	7304	7388	9527	9627
500 micron	No. 35	7305	7389	9528	9628
450 micron	—	7306	7390	9529	9629
425 micron	No. 40	7307	7391	9530	9630
400 micron	—	7308	7392	9531	9631
355 micron	No. 45	7309	7393	9532	9632
315 micron	—	7310	7394	9533	9633
300 micron	No. 50	7311	7395	9534	9634
280 micron	—	7312	7396	9535	9635
250 micron	No. 60	7313	7397	9536	9636
224 micron	—	7314	7398	9537	9637
212 micron	No. 70	7315	7399	9538	9638
200 micron	—	7316	7400	9539	9639
180 micron	No. 80	7317	7401	9540	9640
160 micron	—	7318	7402	9541	9641
150 micron	No. 100	7319	7403	9542	9642
140 micron	—	7320	7404	9543	9643
125 micron	No. 120	7321	7405	9544	9644
112 micron	—	7322	7406	9545	9645
106 micron	No. 140	7323	7407	9546	9646
100 micron	—	7324	7408	9547	9647
90 micron	No. 170	7325	7409	9548	9648
80 micron	—	7326	7410	9549	9649
75 micron	No. 200	7327	7411	9550	9650
71 micron	—	7328	7412	9551	9651
63 micron	No. 230	7329	7413	9552	9652
56 micron	—	7330	7414	9553	9653
53 micron	No. 270	7331	7415	9554	9654
50 micron	—	7332	7416	9555	9655
45 micron	No. 325	7333	7417	9556	9656
40 micron	—	7334	7418	9557	9657
38 micron	No. 400	7335	7419	9558	9658
36 micron	—	7336	7420	9794	9894
32 micron	No. 450	7337	7421	9795	9895
25 micron	No. 500	7338	7422	9797	9897
20 micron	No. 635	7339	7423	9799	9899

**300 mm diameter Test Sieves are available in Stainless Frame and Stainless Cloth only. Call for details.**

- Conforms to current ISO 3310-1 and BS410 Specifications .
- Overall Height – Full: 2-5/8"; Half: 1-7/8" .
- Depth to Cloth – Full: 2"; Half: 1" .

Note: 35 mesh backing cloth is available on test sieves 100 mesh and finer.

TOP COVERS		
ITEM	PART #	
Stainless	9902	
Brass	9902M	

BOTTOM PANS		
ITEM	PART #	
Stainless Full Height	9901	
Stainless Half Height	9903	
Brass Full Height	9901M	
Brass Half Height	9903M	



## 6" DIAMETER TEST SIEVES

DESIGNATION		STAINLESS FRAME- STAINLESS CLOTH		
U.S.A.	METRIC	FULL HT. PART #	HALF HT. PART #	
1"	25.0 mm	3845	—	
7/8"	22.4 mm	3846	—	
3/4"	19.0 mm	3847	—	
5/8"	16.0 mm	3848	—	
.530"	13.2 mm	3849	—	
1/2"	12.5 mm	3850	—	
7/16"	11.2 mm	3851	—	
3/8"	9.5 mm	3852	—	
5/16"	8.0 mm	3853	—	
.265"	6.7 mm	3854	—	
1/4"	6.3 mm	3855	—	
No. 3-1/2	5.6 mm	3856	4022	
No. 4	4.75 mm	3857	4023	
No. 5	4.0 mm	3858	4024	
No. 6	3.35 mm	3859	4025	
No. 7	2.80 mm	3860	4026	
No. 8	2.36 mm	3861	4027	
No. 10	2.0 mm	3862	4028	
No. 12	1.7 mm	3863	4029	
No. 14	1.4 mm	3864	4030	
No. 16	1.18 mm	3865	4031	
No. 18	1.0 mm	3866	4032	
No. 20	850 micron	3867	4033	
No. 25	710 micron	3868	4034	
No. 30	600 micron	3869	4035	
No. 35	500 micron	3870	4036	
No. 40	425 micron	3871	4037	
No. 45	355 micron	3872	4038	
No. 50	300 micron	3873	4039	
No. 60	250 micron	3874	4040	
No. 70	212 micron	3875	4041	
No. 80	180 micron	3876	4042	
No. 100	150 micron	3877	4043	
No. 120	125 micron	3878	4044	
No. 140	106 micron	3879	4045	
No. 170	90 micron	3880	4046	
No. 200	75 micron	3881	4047	
No. 230	63 micron	3882	4048	
No. 270	53 micron	3883	4049	
No. 325	45 micron	3884	4050	
No. 400	38 micron	3885	4051	
No. 450	32 micron	3889	4053	
No. 500	25 micron	3386	4052	

TOP COVERS		
ITEM	PART #	
Stainless	8471	
Stainless w. Ring	8472	

BOTTOM PANS		
ITEM	PART #	
Stainless – Full Ht.	8467	
Stainless w. Skirt – Full Ht.	8469	

- Overall Height – Full: 2-5/8"; Half: 1-7/8".
- Depth to Cloth – Full: 1-3/4"; Half: 1".

Note: 35 mesh backing cloth is available on test sieves 100 mesh and finer.

\*1/8" opening is not included in ASTM E 11 Standard.

## 10" DIAMETER TEST SIEVES

DESIGNATION		STAINLESS FRAME- STAINLESS CLOTH	
U.S.A.	METRIC	PART #	
4"	100 mm	5799	
3-1/2"	90 mm	5800	
3"	75 mm	5801	
2-1/2"	63 mm	5802	
2.12"	53 mm	5803	
2"	50 mm	5804	
1-3/4"	45 mm	5805	
1-1/2"	37.5 mm	5806	
1-1/4"	31.5 mm	5807	
1.06"	26.5 mm	5808	
1"	25.0 mm	5809	
7/8"	22.4 mm	5810	
3/4"	19.0 mm	5811	
5/8"	16.0 mm	5812	
.530"	13.2 mm	5813	
1/2"	12.5 mm	5814	
7/16"	11.2 mm	5815	
3/8"	9.5 mm	5816	
5/16"	8.0 mm	5817	
.265"	6.7 mm	5818	
1/4"	6.3 mm	5819	
No. 3-1/2	5.6 mm	5820	
No. 4	4.75 mm	5821	
No. 5	4.0 mm	5822	
No. 6	3.35 mm	5823	
No. 7	2.80 mm	5824	
No. 8	2.36 mm	5825	
No. 10	2.0 mm	5826	
No. 12	1.7 mm	5827	
No. 14	1.4 mm	5828	
No. 16	1.18 mm	5829	
No. 18	1.0 mm	5830	
No. 20	850 micron	5831	
No. 25	710 micron	5832	
No. 30	600 micron	5833	
No. 35	500 micron	5834	
No. 40	425 micron	5835	
No. 45	355 micron	5836	
No. 50	300 micron	5837	
No. 60	250 micron	5838	
No. 70	212 micron	5839	
No. 80	180 micron	5840	
No. 100	150 micron	5841	
No. 120	125 micron	5842	
No. 140	106 micron	5843	
No. 170	90 micron	5844	
No. 200	75 micron	5845	

TOP COVERS		
ITEM	PART #	
Stainless	8516	
Stainless w. Ring	8517	

BOTTOM PANS		
ITEM	PART #	
Stainless – Full Ht.	8512	
Stainless w. Skirt – Full Ht.	8514	

- Overall Height – Full: 4"

Note: 35 mesh backing cloth is available on test sieves 100 mesh and finer.

\*1/8" opening is not included in ASTM E 11 Standard.

See Pages 12 & 13 for Value Added NIST Traceable Certification Services.



# 18" DIAMETER TEST SIEVES

DESIGNATION		BRASS FRAME — STAINLESS CLOTH	
U.S.A.	METRIC	PART #	
4"	100 mm	7503	
3-1/2"	90 mm	7504	
3"	75 mm	7505	
2-1/2"	63 mm	7506	
2.12"	53 mm	7507	
2"	50 mm	7508	
1-3/4"	45 mm	7509	
1-1/2"	37.5 mm	7510	
1-1/4"	31.5 mm	7511	
1.06"	26.5 mm	7512	
1"	25.0 mm	7513	
7/8"	22.4 mm	7514	
3/4"	19.0 mm	7515	
5/8"	16.0 mm	7516	
.530"	13.2 mm	7517	
1/2"	12.5 mm	7518	
7/16"	11.2 mm	7519	
3/8"	9.5 mm	7520	
5/16"	8.0 mm	7521	
.265"	6.7 mm	7522	
1/4"	6.3 mm	7523	
No. 3-1/2	5.6 mm	7524	
No. 4	4.75 mm	7525	
No. 5	4.0 mm	7526	
No. 6	3.35 mm	7527	
No. 7	2.80 mm	7528	
No. 8	2.36 mm	7529	
No. 10	2.0 mm	7530	
No. 12	1.7 mm	7531	
No. 14	1.4 mm	7532	
No. 16	1.18 mm	7533	
No. 18	1.0 mm	7534	
No. 20	850 micron	7535	
No. 25	710 micron	7536	
No. 30	600 micron	7537	
No. 35	500 micron	7538	
No. 40	425 micron	7539	
No. 45	355 micron	7540	
No. 50	300 micron	7541	
No. 60	250 micron	7542	
No. 70	212 micron	7543	
No. 80	180 micron	7544	
No. 100	150 micron	7545	
No. 120	125 micron	7546	
No. 140	106 micron	7547	
No. 170	90 micron	7548	
No. 200	75 micron	7549	
No. 230	63 micron	7550	

TOP COVERS		
ITEM	PART #	
Brass	8558	

BOTTOM PANS		
ITEM	PART #	
Brass-Full Ht.	8556	

- Overall Height – 5-1/2"
- Depth to Cloth – 4-1/2"

Note: 35 mesh backing cloth is available on test sieves 100 mesh and finer.

# SPECIAL TEST SIEVE PRODUCTS

All Wet Wash Test Sieves are constructed either in the more durable all stainless steel or with a brass frame and stainless steel sieve cloth. Available in US #4 – 325 meshes.

ITEM	
8" Diameter Test Sieve with 4-5/8" overall height and 4-1/8" depth to cloth	All Stainless Steel
	Brass Frame/Stainless Steel mesh

ITEM	
8" Diameter Test Sieve with 8-5/8" overall height and 8-1/8" depth to cloth	All Stainless Steel
	Brass Frame/Stainless Steel mesh

ITEM	
3" Diameter Test Sieve with 4" overall height and 3-1/2" depth to cloth	All Stainless Steel
	Brass Frame/Stainless Steel mesh

ITEM	
12" Diameter Test Sieve with 9" overall height and 8" depth to cloth	All Stainless Steel
	Brass Frame/Stainless Steel mesh

- All test sieves above include drain holes in lower frame.
- 35 mesh backing is recommended for U.S.A. #200 and finer



\*\*\*\*\*

## TEST SIEVE CLEANING BRUSHES

**Nylon Model**  
For cleaning sieves having 120 mesh and finer.

**Brass Model**  
For cleaning sieves having 100 mesh and coarser.

PART #
8577 Nylon

PART #
8576 Brass

# AIR JET TEST SIEVES

DESIGNATION		STAINLESS FRAME – STAINLESS CLOTH	
U.S.A	METRIC	PART #	
No. 8	2.36 mm	9423	
No. 10	2.0 mm	9418	
No. 12	1.7 mm	9424	
No. 14	1.4 mm	9425	
No. 16	1.18 mm	9152	
No. 18	1.0 mm	9321	
No. 20	850 micron	9153	
No. 25	710 micron	9250	
No. 30	600 micron	9154	
No. 35	500 micron	9056	
No. 40	425 micron	9016	
No. 45	355 micron	9251	
No. 50	300 micron	9142	
No. 60	250 micron	9143	
No. 70	212 micron	9252	
No. 80	180 micron	9101	
No. 100	150 micron	9186	
No. 120	125 micron	9253	
No. 140	106 micron	9015	
No. 170	90 micron	9014	
No. 200	75 micron	9003	
No. 230	63 micron	9004	
No. 270	53 micron	9102	
No. 325	45 micron	9011	
No. 400	38 micron	9133	
No. 450	32 micron	9410	
No. 500	25 micron	9202	
No. 635	20 micron	9415	

- 200mm in diameter.
- Overall Height – 1-3/4".
- Depth to Cloth – 1-1/8".
- For use with Air Jet Sieving Systems.
- Each Test Sieve is supplied with a Serial Number and a matching Test Sieve Certificate of Compliance.
- See Pages 12 and 13 for NIST Traceable Certification Services.

Customer Service 800.321.6188



## NEW! ALPINE SMART SIEVES for e200LS



- 200 mm diameter
- Overall height - 1"
- Depth to cloth - 7/8"
- For use with e200LS
- ID chip for instant recognition

Designation	Part No.	
No. 5	522260	
No. 6	522262	
No. 7	522265	
No. 8	522267	
No. 10	522269	
No. 12	522272	
No. 14	522274	
No. 16	522276	
No. 18	522278	
No. 20	522214	
No. 25	522216	
No. 30	522219	
No. 35	522221	
No. 40	522223	
No. 45	522226	
No. 50	522228	
No. 60	522230	
No. 70	522233	
No. 80	522235	
No. 100	522237	
No. 120	522239	
No. 140	522241	
No. 170	522243	
No. 200	522245	
No. 230	522247	
No. 270	522250	
No. 325	522252	
No. 400	522254	
No. 450	522257	
No. 500	522258	
No. 635	522259	

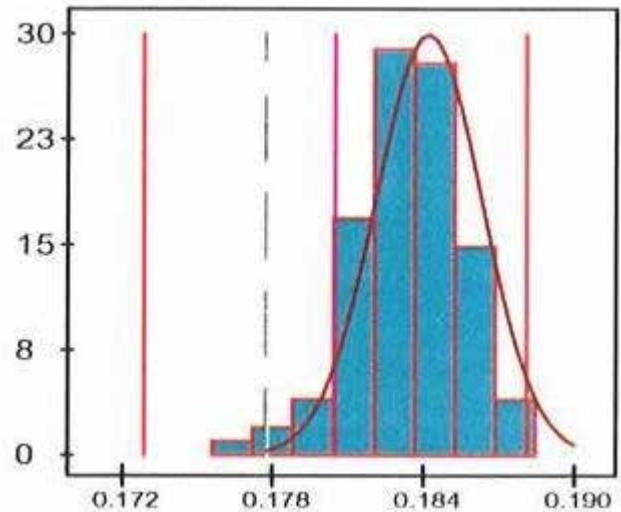
# TYLER SIEVING SOFTWARE 3.0

## W.S. TYLER is excited to introduce Sieve Software 3.0.

The product was designed as a fast and simple tool to record, print and save data from a traditional Test Sieve Analysis.

The user- friendly spreadsheet format allows the user to personalize the files and detail each sieve test. The technician must enter the sieve series required and the sample weight retained on each sieve following the test run. The software will perform the rest of the calculations and create statistical and graphical displays for analysis. The Tyler Sieving Software 3.0 simplifies the Test Sieving process and is affordably priced.

SIEVING SOFTWARE 3.0	
Part # SS-300	



# ALPINE e200 LS



The Hosokawa ALPINE Air Jet Sieve e200 LS has an attractive ergonomic design and fits nicely on a work bench. A high resolution 6.4" TFT touch screen allows intuitive operation with its easy-to-follow user interface. The integrated analysis guide leads you through comparison analysis, trend analyses for statistics, language switch-over, and setting of country-specific measurement units. Data evaluation is given in tabular form (graphic form with eControl Professional and eControl Ultimate).

### SOFTWARE OPTIONS

- **eControl Basic**

Simple sieving user level for quick individual analysis. Intuitive menu guidance makes for easy and reliable operation. Can be upgraded to higher software versions.

- **eControl Professional**

Expanded package that includes interface with a balance and additional graphic display abilities. Graphic evaluation is plotted in a cumulative curve. Can be upgraded to higher software version.

- **eControl Ultimate**

For special demands that includes traceability, such as for pharmaceuticals. Representation of residual fines concentration and relevant information.

# LABORATORY SERVICES

## CERTIFIED TEST SIEVE (ASTM E11-09 Equivalent - Inspection Grade):

- New and in-use Test Sieves.
- Opening measured with a computerized video imaging system, + / - .5 micron.
- Examined to the current ASTM and ISO specifications.
- Products are serialized and supplied with NIST traceable documents, including statistical information on opening sizes and wire diameters (see sample IBC).
- Part # 9998

## CERTIFIED PLUS TEST SIEVE (ASTM E11-09 Equivalent - Calibration Grade):

- New and in-use Test Sieves.
- Openings measured with a Computerized Video Imaging System, (+ / - .5 micron).
- Examined to the current ASTM or ISO Specifications.
- Increased # of measurements provide a 99.73% level of confidence (K-Factor) vs the Inspection grade Test Sieve.
- Products are serialized and supplied with NIST traceable documents, including statistical information on opening sizes and wire diameters.
- Part # 9992

<b>RECOMMENDED IN-USE SIEVE RECERTIFICATION SCHEDULE</b>	
<b>Aperture</b>	<b>Schedule*</b>
5 inches to .25 inches	80 uses or 36 months
US No. 3 <sup>1</sup> / <sub>2</sub> to US No. 12	70 uses or 30 months
US No. 14 to US No. 40	60 uses or 24 months
US No. 45 to US No. 140	50 uses or 18 months
US No. 170 to US No. 325	35 uses or 12 months
US No. 400 to US No. 635	20 uses or 6 months
* Whichever comes last	

# LABORATORY SERVICES

## PARTICLE ANALYSIS SERVICES

- Fine, dry applications from 2" through 635 mesh (20 micron).
- Service includes detailed analysis results.
  
- Part # 9995

## MATCHED / CERTIFIED TEST SIEVE

- Individually performance tested against W.S. Tyler Master Series Sieves.
- Performance test result tolerances, +/- 2.5% .
- Certified including NIST Traceable and Performance Test Documents.
- Designed for critical multiple location comparison analysis.
  
- U.S.A. No. 8 through U.S.A. No. 325, 8" diameter Stainless Steel Cloth Sieves.
  
- Part # 9991





# RO-TAP® TEST SIEVE SHAKERS

## RX-29 and RX-30 Models

The industry standard in test sieve shakers, W.S. Tyler's Ro-Tap has a unique two-dimensional operation: a horizontal, circular motion and a vertical, tapping motion. This special action allows material particles to stratify and "seek" critical openings in the test media. This unit provides the most accurate and consistent particle analysis testing.

The **RX-29** model is designed for testing with 8" diameter test sieves; the **RX-30** model is designed for testing with 12" diameter test sieves.

- Testing applications — **RX-29**: 2" down through 635 mesh (20 micron); **RX-30**: 4" down through 500 mesh (25 micron)
- Requires minimal maintenance
- Heavy-duty use
- Features 99 minute digital timer/clock, tolerance, 0.1 second
- Each unit is test run and serialized prior to shipment



Test Sieves sold separately.

### SPECIFICATIONS

- Oscillations per Minute: 278±10
- Oscillations Displacement: 1-1/8" x 7/16"
- Taps per Minute: 150±10

MODEL	NUMBER OF SIEVES	
	FULL HEIGHT	HALF HEIGHT
RX-29 (8" or 200mm Dia.)	6 Sieves w/FH Pan	13 Sieves w/HH Pan
RX-30 (12" or 300mm Dia.)	4 Sieves w/FH Pan 6 Sieves w/HH Pan*	8 Sieves w/HH Pan

**Lab Kits consisting of Ro-Tap, sound enclosure and test stand are available at a discounted price. Call for details.**

Dimensions — Unit: 28" wide x 21" deep x 25" high  
(71cm x 54cm x 64cm)

Weight — Unit: 180 lbs. (82 kg)

AT 1725 RPM, 60 CYCLE CURRENT		
PART #	DESCRIPTION	
RX-29	115v (8" Test Sieves)	
RX-29-16	230v (8" Test Sieves)	
RX-30	115v (12" Test Sieves)	
RX-30-16	230v (12" Test Sieves)	

AT 1425 RPM, 50 CYCLE CURRENT		
PART #	DESCRIPTION	
RX-29-2	115v (8" Test Sieves)	
RX-29-10	230v (8" Test Sieves)	
RX-30-2	115v (12" Test Sieves)	
RX-30-10	230v (12" Test Sieves)	

All models are wired for single phase current.

## RO-TAP® Conversion Kits

KIT PART NO.	DESCRIPTION	
RX-32	Ro-Tap 12" Diameter to 8" Diameter Test Sieve Kit	
R-30033-1	Ro-Tap 8" Diameter to 3" Diameter Test Sieve Kit	
R-40038	Ro-Tap Digital Timer Conversion Kit — 115 Volt	
R-40039	Ro-Tap Digital Timer Conversion Kit — 230 Volt	

To ensure lasting dependable service, **RO-TAP** Sieve Shakers must occasionally be upgraded with parts that are long-wearing, durable, and cost-effective. Maintenance kits are available for the replacement of parts due to normal wear and tear. **W.S. Tyler** – recommends the use of these kits as a means to minimize down-time due to minor repairs. The purchase of a minor maintenance kit is also recommended with each new **RO-TAP** Sieve Shaker.

PART NO.	DESCRIPTION	INCLUDES
10121	RX-29, RX-30, & RX-94 RX-29, RX-30, & RX-94	2 Eccentric Discs (R-10034), 1 Flange Bushing (R-10061), 1 Bearing (R-10062), 1 Cork (R-10066A), and 2 Flange Bearings (R-10063)
10122	RX-29 Major Maintenance Kit	1 Minor Maintenance Kit (10121), 1 Timing Belt (R-10058), 1 Upper Carrying Plate (R-30008), 1 Cam Gear (R-20039), and 1 Timing Belt Pulley (R-30015)
10123	RX-94 Major Maintenance Kit	Kit Part No. 10122 except Upper Carrying Plate



\* Prices reflect discount versus purchasing the items separately.

## RO-TAP® E SIEVE SHAKERS

### RO-TAP® RX-29-E and RO-TAP® RX-30-E Models:

The **RO-TAP** Electronic Test Sieve Shaker operates with 8" or 12" diameter Test Sieves and offers precise sieving results. The compact, **RO-TAP** RX-29-E (8" Test Sieves) unit requires minimal space on a laboratory countertop. The **RO-TAP** RX-30-E (12" Test Sieves) model is a floor unit. Controls can be remotely mounted for convenient operation. The units are designed for light to medium testing applications.



#### The Standard Model Features:

- Controlled Constant Amplitude
- Digital Controls
- Quick Release Hold Downs
- Fine and Coarse Analysis Control Settings



Dimensions: Model E 8" (hold 9 full height or 15 half height w/pan)  
Unit: 14" wide x 12" deep x 37" high  
Weight – Unit: 80 lbs. (36 kg)  
Power Options: 110 v. (220v pricing on request)

Dimensions: Model E 12" (hold 7 full height or 10 half height w/pan)  
Unit: 16" wide x 18" deep x 40" high  
Shipping: 31" wide x 31" deep x 39" high  
Weight – Unit: 117 lbs. (53 kg)  
Power Options: 110 v. (220v pricing on request)

PART #	DESCRIPTION
RX-29-E	Electronic 8" Shaker
RX-30-E	Electronic 12" Shaker
560210	Twin Nut Clamp
R-30033-E	Twin Nut Clamping System Kit

Test Sieves sold separately.

# TEST SIEVE SHAKERS



Test Sieves sold separately.

## RO-TAP® RX-94 Model

**RO-TAP® RX-94** Test Sieve Shaker utilizes the same traditional design as the RX-29 and RX-30 models. In addition, the unit features a cavity that allows for two “stacks” of 8" diameter test sieves. This allows for twice the processing capacity in nominally the same time required to complete one test.

- Designed for use with 8" diameter test sieves only.
- Testing application: 2" down through 635 mesh (20 micron).
- Newly designed easy lock clamping system.

### SPECIFICATIONS

- Oscillations per Minute: 278±10
- Oscillation Displacement: 1-1/8" x 7/16"
- Taps per Minute: 150±10 • Hammer Weight: 5 lbs., 6 oz.

Recommendations regarding the maximum number of test sieves that can be used with **Ro-Tap** Test Sieve Shakers:

MODEL	NUMBER OF SIEVES	
	FULL HEIGHT	HALF HEIGHT
RX-94 (8" or 200mm Dia.)	2 Stacks of 6 Sieves w/FH Pan	2 Stacks of 13 Sieves w/HH Pan

A top cover is required for testing.

PART #	DESCRIPTION
RX-94	115v. 60 Hz Current
RX-94-1	230v. 60 Hz Current
RX-94-2	115v. 50 Hz Current
RX-94-3	230v. 50 Hz Current

Prices do not include test sieves.

All models are wired for single phase current only.

Dimensions — Unit: 30" wide x 27" deep x 26" high (75cm x 68cm x 56cm)  
Shipping: 31" wide x 31" deep x 30" high (77cm x 78cm x 75cm)

Weight — Unit: 220 lbs. (100 kg)  
Shipping: 242 lbs. (110 kg)



Test Sieves sold separately.

## RX-812 Coarse Sieve Shaker Model

Designed to be used in coarse testing applications, the affordable RX-812 Coarse Sieve Shaker has the unique capability of using both 8" diameter and 12" diameter test sieves, simply by using the quick-change adapters provided. The RX-812 has a quiet operation and utilizes an effective action that gives consistent, accurate results.

- Designed for use with 8" and 12" diameter test sieves.
- Not recommended for analysis with particles 150 micron (100 mesh and finer) and smaller.

### SPECIFICATIONS

- Oscillations per Minute: 280 (60Hz); 231 (50Hz).

Recommendations regarding the maximum number of test sieves that can be used with **Ro-Tap** Test Sieve Shakers:

MODEL	NUMBER OF SIEVES	
	FULL HEIGHT	HALF HEIGHT
RX-812 (8" or 200mm Dia.)	6 Sieves w/FH Pan	13 Sieves w/HH Pan
RX-812 (12" or 300mm Dia.)	4 Sieves w/FH Pan	6 Sieves w/HH Pan* or 8 Sieves w/HH Pan

A top cover is required for testing.

\* Intermediate height.

PART #	DESCRIPTION
RX-812	115v. 60 Hz Current
RX-812-1	230v. 60 Hz Current
RX-812-2	115v. 50 Hz Current
RX-812-3	230v. 50 Hz Current

Prices do not include test sieves.

All models are wired for single phase current only.

Dimensions — Unit: 23" wide x 15" deep x 31.5" high (59cm x 38cm x 80cm)  
Shipping: 25" wide x 19" deep x 15" high (64cm x 49cm x 38cm)

Weight — Unit: 55 lbs. (25 kg)  
Shipping: 95 lbs. (28 kg)

## RO-TAP® SOUND ENCLOSURE CABINET & TEST STAND

Designed to be used exclusively with **Ro-Tap** Sieve Shakers, operating noise levels are reduced from approximately 85 dB to 78 dB. The cabinets are fabricated with 18 gauge steel and a 1" metal faced, acoustic foam inner liner.

Specifically designed for RX-29 and RX-30 **Ro-Tap** Sieve and RX-812 Coarse Sieve Shaker, the **Ro-Tap** Test Stand can be used with or without the Sound Enclosure Cabinet.

- Allows for relatively fast, simple installation and set-up of the **Ro-Tap** Sieve Shaker.
- Attractive, sturdy steel construction, with anchor brackets for fastening to floor or foundation.
- Allows for optimal use of available laboratory space dedicated to test sieving.



CABINET MODEL #	DESCRIPTION	
R-30050	RX-29 & RX-30	
RX-99 (Not Pictured)	RX-94	

PARTS #	DESCRIPTION	
R-40041 (See Picture)	Test Stand	
R-10099-30 (RX-99 only)	Cover Springs w/Ball Stud	

## ROTARY SIFTER RX-20



- RX-20 Rotary Sifter offers classic design and efficient operation in an economical package. A proven sieving method preferred by many DOTs, based on a popular design developed many years ago. The Rotary Sifter offers a faster conversion from 8-12 inch or 200-300mm diameter sieves. The sieve stack capacity ranges from six 12 inch diameter full height sieves with pan or up to twenty 8 inch diameter half-height sieves with pan.
- The totally enclosed cabinet allows safe, dust-free operation. Individual tapping hammers assist passage of near-size particles. The digital timer has an LED display which precisely times operation up to 99 minutes at +/- 1 second. The system is driven by a 1/3hp continuous-duty motor.

- \* Accurate results
- \* Simple and efficient
- \* Dimensions: 19x24x58in
- \* Estimated ship weight: 215lb

PART #	DESCRIPTION	
RX - 20	ROTARY SIFTER	

# SIEVING ACCESSORIES



## ULTRASONIC TEST SIEVE CLEANER

Produces ultrasonic vibrations in a cleaning fluid bath, which causes contaminants to become dislodged from both sieve frame and media.

- 8" or 200mm diameter test sieves only
- Compact and portable
- Stainless steel oscillation tank
- Built-in timer
- Unit weight: 12 lbs.
- Solution not included (mild detergent recommended)

PART #	
P-1405	

Dimensions — 9 1/2" diameter x 10" high (24cm x 25cm)



## WET TEST SIEVING KIT

Allows for testing in wet environment when material is not soluble in water. (Kit does not include **RO-TAP**® shaker)

- For use with W.S. Tyler **Ro-Tap** RX-29 and RX-94 Sieve Shakers.
- Kit weight: 27 lbs.

MODEL	PART #	
RX-29	LA11112	
RX-94	LA11194	

\* Test Sieving Kit includes: Cover, Pan, Hoses, Clamps.

COVER WITH SPOUT	
PART # 8498	

PAN WITH SPOUT	
PART # 8495	



# SAMPLING DEVICES

## SAMPLING SPLITTERS

Reduces or halves material samples for making sieve tests. The Splitters maintain representative particle size distribution while reducing the original sample size.

Dimensions —

SS-50: Unit: 12" wide x 14" deep x 12" high (30cm x 36cm x 30cm)  
Shipping: 14" wide x 16" deep x 16" high (36cm x 41cm x 41cm)

SS-100: Unit: 22" wide x 16" deep x 16" high (56cm x 41cm x 41cm)  
Shipping: 24" wide x 26" deep x 16" high (61cm x 66cm x 41cm)

Weight —

SS-50: Unit: 10 lbs. (5 kg)      SS-100: Unit: 25 lbs. (10 kg)  
Shipping: 16 lbs. (7 kg)      Shipping: 35 lbs. (12 kg)



PART #	DESCRIPTION	MAX. PARTICLE SIZE	
SS-50	Sample Splitter w/14 1/2" Discharge Chutes	1/8"	
SS-100	Sample Splitter w/16 1/2" Discharge Chutes	1/4"	

## SPINNING RIFFLER

The RX-230 Spinning Riffler uses a vibratory feeder to provide a constant flow of material from the stainless steel hopper. The vibrating feeder then feeds the sampling tubes from 1 to 16 individual samples. Each sample can then be capped and stored immediately, with minimal handling and little chance for outside contamination.

Spin riffling is the method of choice for sampling accuracy and reliability for dry, free flowing particles. This unit will virtually eliminate operator error and bias associated with other types of sampling devices.

The RX-230 Spinning Riffler includes a sixteen-port dividing head, a set of sixteen standard tube sample vessels, a sample drum to contain the vessels and a hopper plate for positioning the vessels in the drum. All of these parts are available as replacement parts.

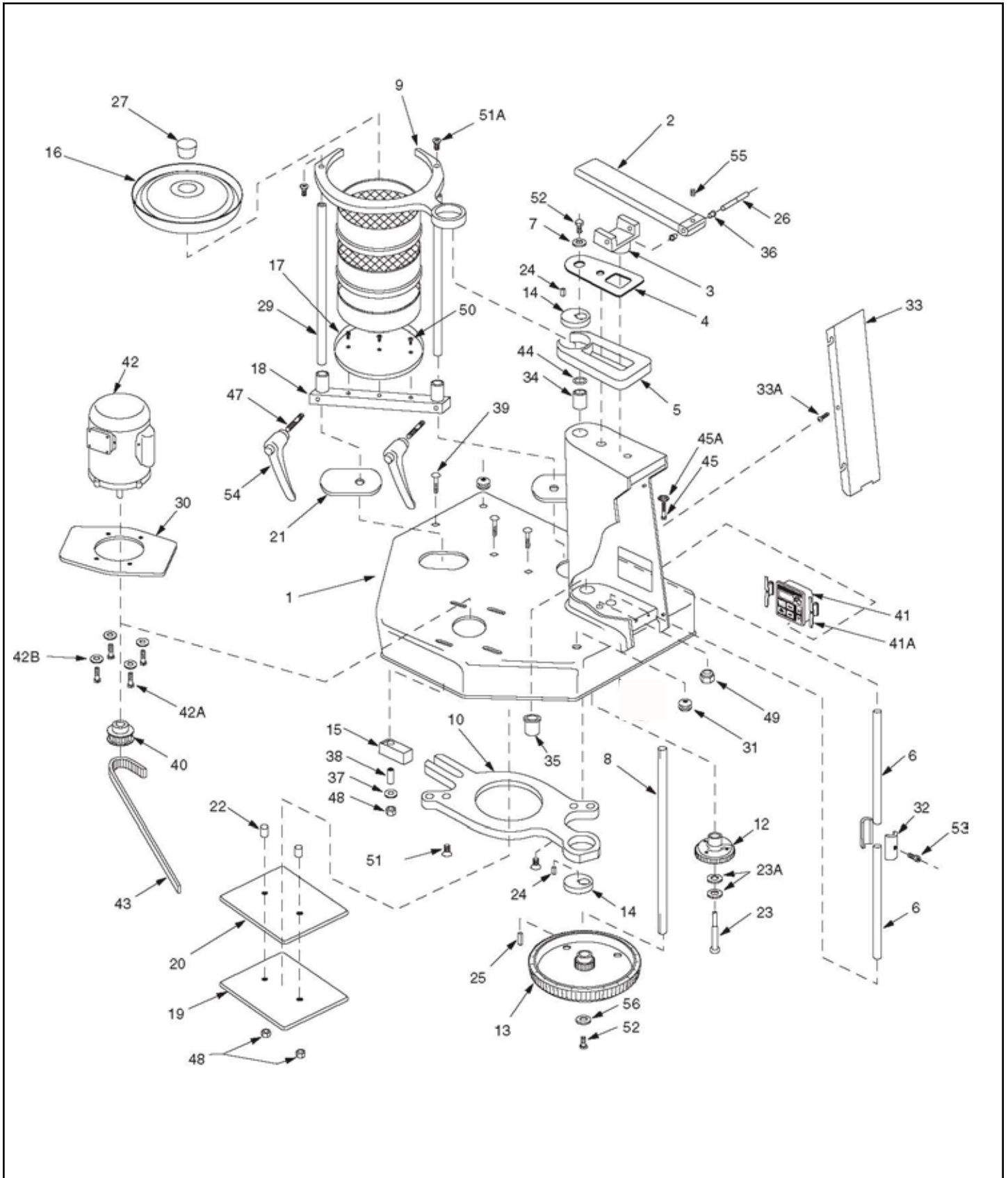
Dimensions — 13" wide x 20 1/2" deep x 23" high

Weight — 25 lbs.



PART #	DESCRIPTION	
RX-230	Spinning Riffler/Dual Voltage	

# RO-TAP® RX-29 AND RX-30 PARTS DIAGRAM



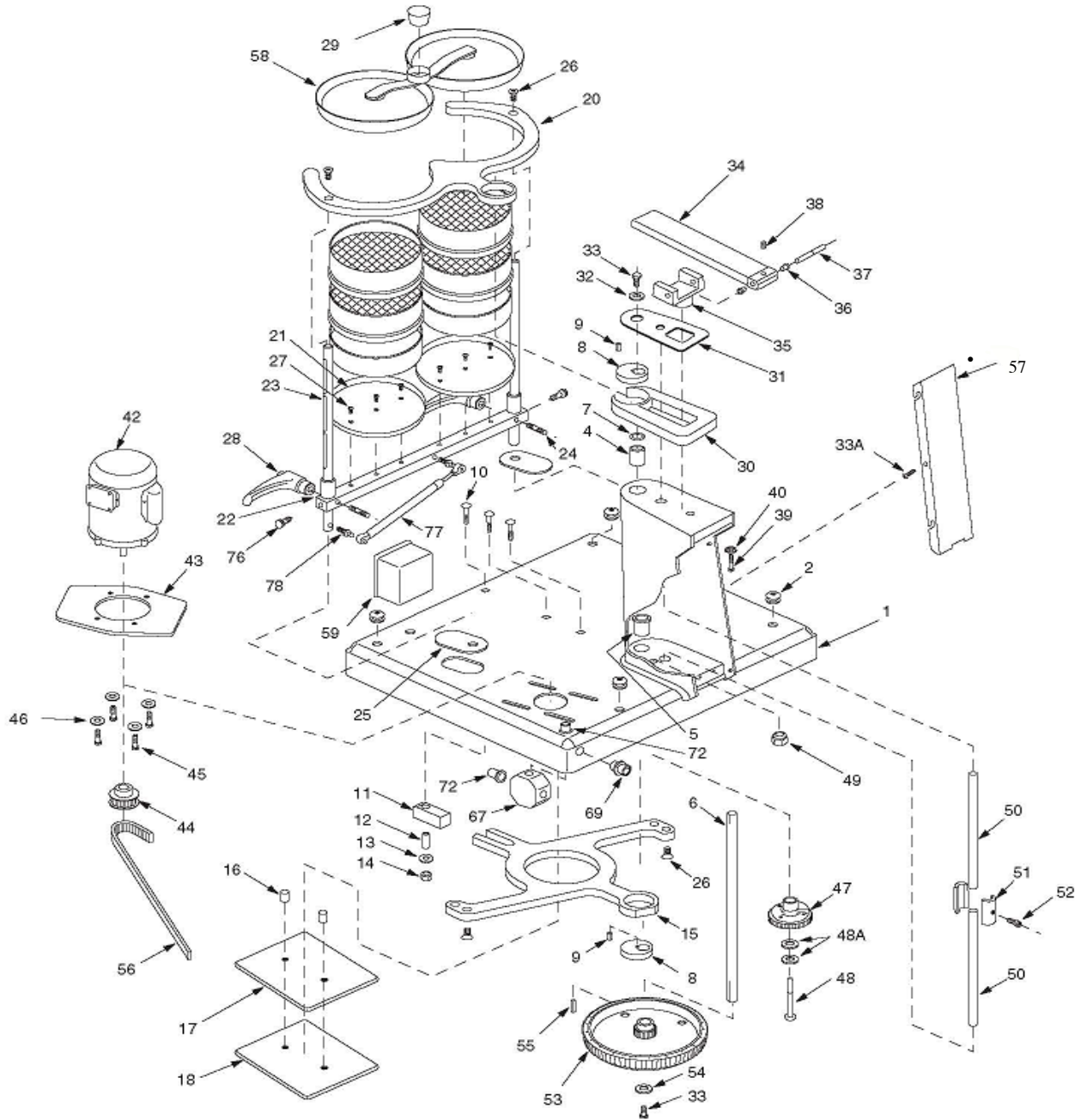
See Page 15 for Recommended Service Parts Kits

# RO-TAP® RX-29 AND RX-30 PARTS

ITEM NO.	PART NO.	DESCRIPTION	REQ'D.
1	107770	Base	1
2	R-20029	Hammer	1
3	R-20023	Hammer Block	1
4	R-30019	Sheet Guard	1
5	R-30010	Rotating Guard	1
6	R-10036	Lift Rod	2
7	R-10038	Upper Main Shaft Washer	1
8	R-20027	Main Shaft	1
9	R-30008	Upper Carrying Plate – RX29 – plastic	1
9A	R-30008-1	Upper Carrying Plate – RX-29 – Heavy-Duty Cast Aluminum	1
9B *	R-30027	Upper Carrying Plate –RX-30–steel	1
10	R-30009	Lower Carrying Plate	1
12	R-20039	Cam Gear	1
13	R-30015	Timing Belt Pulley	1
14	R-10034	Eccentric Disc.	2
15	R-10032	Block	1
16	R-30007	Sieve Cover– RX-29	1
16	R-30011	Sieve Cover – RX-30	1
17	R-30006	Sieve Support Plate – RX-29	1
17	R-30013	Sieve Support Plate – RX-30	1
18	R-30023	Sieve Support Clamp Bar – RX-29	1
18	R-30022	Sieve Support Clamp Bar – RX-30	1
19	R-20019	Backup Plate	1
20	R-20020	Bearing Plate	1
21	R-20033	Shield	2
22	R-10028	Tube Spacer	2
23	R-10029	Cam Shoulder Screw	1
23A	106582	1/2" I.D. Shim	2
24	R-10042	Main Shaft Key to Eccentric	2
25	R-10039	Main Shaft Key – Lower	1
26	R-10035	Hammer Pin	1
27	R-10066-A	Cork Plug (10 cork plugs per pack)	1 pk.
29	R-10033	Tie Rod	2
30	R-30018	Motor Adapter	1
31	ZA11167	Grommet	2
32	R-10030	Lift Rod Coupling (2.50" long)	1
33	R-40011	Pedestal Cover	1
34	R-10061	Flange Bearing	1
35	R-10062	Bearing	1
36	R-10063	Flange Bearing	2
37	ZF10168	Thrust Washer	1
38	R-10065	Steel Bushing	1
39	ZF10174	3/8 - 16 NC x 2.25" Carriage Bolt	3
40	R-10070	Sprocket – 14 teeth (1800 RPM) w/ Set Screw	1
	R-10048	Sprocket – 17 teeth (1500 RPM) w/ Set Screw	1
41	R-40029	Electronic Timer (115V)	1
41	R-40037	Electronic Timer (230V)	1
42	P-1500-23	Motor – 1/4 H.P. 115/230V 60/50Hz 1 Phase	1
42A	ZF10183	3/8-16 x 1.00" Long Hex Head Screw	4
42B	ZF10168	3/8 I.D. Flat Washer	4
43	R-10058	Timing Belt	1
44	R-10055	Shim	1
45	ZZ10068	1/2 - 13 x 2.50" long Hex Hd. Bolt	1
45A	ZZ10323	1/2 I.D. Lock Washer	1
47	R-10079	Clamp Screw	2
48	ZF10221	3/8" Lock Nut	3
49	ZF10222	1/2" Lock Nut	1
50	ZF10231	10 - 32 x .50" Long Flat Head Socket Cap Scr.	3
51	ZF10241	3/8 - 16 x .75" Long Flat Head Socket Cap Scr.	2
51A	ZF10240	3/8 - 16 x .75" Long Hex Head Screw	2
52	114162	3/8 - 16 x .62" long Hex Hd. Screw	2
53	ZF10251	5/16 - 24 x 1.25" Long Socket Head Cap Scr.	1
54	R-20082	Adjustable Handles (pair)	1
55	ZA10148	#10-24 x .25" Socket Hd. Set Screw	1
56	ZF10271	3/8 I.D. x 1.50" O.D. Fender Washer	1
60 *	R-10017	Timer Cord w/ Plug – 110v	1
60A	R-10017-220	Timer Cord w/ Plug	1

\* Items not shown

# RO-TAP® RX-94 PARTS DIAGRAM



See Page 15 for Recommended Service Parts Kits

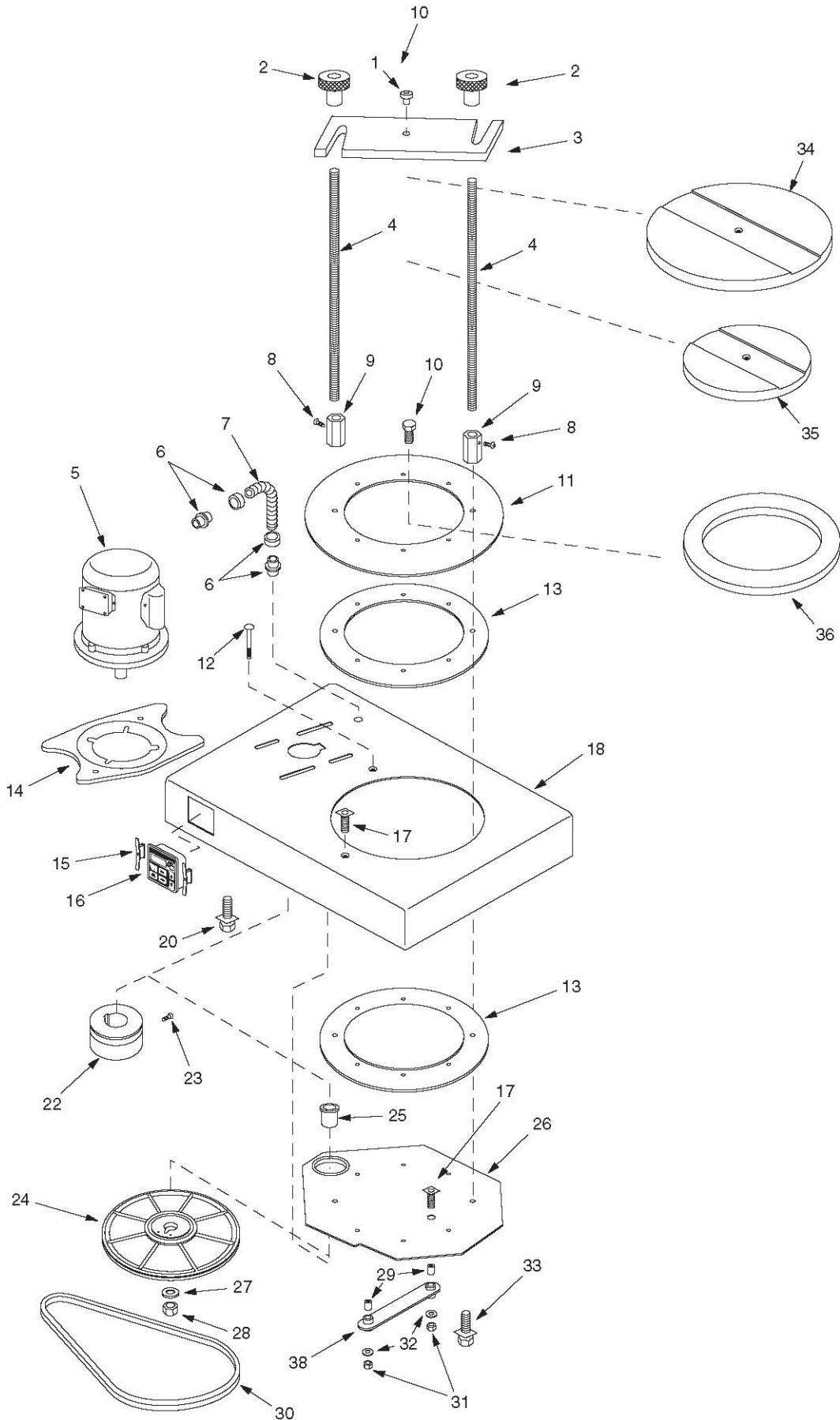
# RO-TAP® RX-94 PARTS

ITEM NO.	PART NO.	DESCRIPTION	REQ'D.
1	R-40023	Painted Base Weldment	1
2	ZA11167	Grommet	4
4	R-10061	Flanged Bearing	1
5	R-10062	Bearing	1
6	R-20027	Mainshaft	1
7	R-10055	Shim 1.42 O.D. x .0155 Thick	1
8	R-10034	Eccentric Disc	2
9	R-10042	Main Shaft Key	2
10	ZF10174	3/8-16 x 2.25" Carriage Bolt	3
11	R-10032	Block	1
12	R-10065	Steel Bushing .62 O.D. x .385 I.D. x 1.25"	1
13	ZF10168	3/8" Flatwasher	1
14	ZF10221	3/8-16 Locknut	1
15	R-40017	Lower Carrying Plate	1
16	R-10028	Tube Spacer	2
17	R-20020	Bearing Plate	1
18	R-20019	Back-Up Plate	1
19	ZF10221	3/8-16 Locknut	2
20	R-40019	Upper Carrying Plate	1
21	R-30006	Support Plate	2
22	R-40018	Dual Sieve Support Clamp Bar	1
23	R-40021	Tie Rod	2
24	R-10079	Clamp Screw	2
25	R-20033	Shield	2
26	ZF10241	3/8-16 x .75" long Flat Head Screw	4
27	ZF10231	#10-32 x .50" long Flat Head Screw	6
28	R-20082	Adjustable Handles (pair)	1
29	R-10066-A	Cork Plug (10 cork plugs per pack)	1 pk.
30	R-30010	Rotating Guard Assembly	1
31	R-30019	Sheet Guard	1
32	R-10038	Upper Mainshaft Washer	1
33	114162	3/8-16 x .62" long Hex Head Cap Screw	2
34	R-20029	8" Hammer	1
35	R-20023	Hammer Block	1
36	R-10063	Flanged Bearing	2
37	R-10035	Hammer Pin	1
38	ZA10148	#10-24 x .25" long Flat Point Socket Hd. Cap Screw	1
39	ZZ10068	1/2-13 x 2.50" long Hex Head Bolt	1
40	ZZ10323	1/2 I.D. Lockwasher	1
41 *	R-10017	Standard Motor Cord w/Plug ( <i>See page 21, for 2nd option</i> )	1
42	P-1500-23	Motor-1/4 HP115/230V60/50Hz1 phase	1
43	R-30018	Motor Adapter Plate	1
44	R-10070	Sprocket – 14 Teeth (1800 rpm) with Set Screw	1
45	ZF10183	3/8-16 x 1.00" long Hex Head Screw	4
46	ZF10168	3/8 I.D. Flat Washer	4
47	R-20039	Cam Gear	1
48	R-10029	Cam Shoulder Screw	1
48A	106582	1/2 I.D. Shim	2
49	ZF10222	1/2-13 Locknut	1
50	R-10036	Lift Rod	2
51	R-10030	Lift Rod Coupling	1
52	ZF10251	5/16-24 x 1.25" long Socket Head Cap Screw	1
53	R-30015	Timing Belt Pulley	1
54	ZF10271	3/8 I.D. x 1.50" O.D. Fender Washer	1
55	R-10039	Main Shaft Key (Lower)	1
56	R-10058	Timing Belt	1
57	R-40011	Pedestal Cover	1
58	R-40020	Dual Sieve Cover	1
59	R-40030	Timer Enclosure	1
60 *	R-40029	Electronic Timer (115v)	1
60A	R-40037	Electronic Timer (230v)	2
66	R-10118	3 1/4" Octagon Box (Appleton # 30)	1
77	R-10099-30	Gas Spring (Guden #CGS24-30)	1
78	114165	Spring Stud (Guden #BS101-02)	2

\* Items not shown



# RX-812 COARSE SIEVE SHAKER PARTS DIAGRAM



# RX-812 COARSE SIEVE SHAKER PARTS

ITEM NO.	PART NO.	DESCRIPTION	REQ'D.
1	LC10016	Locating Pin	1
2	LC10017	Clamping Knobs	2
3	LC10008	Clamp Bar	1
4	LC10015	Clamping Rods	2
5	P-1500-23	Motor – 1/4 HP, 115/230V, 60/50Hz, 1 phase	1
6	R-10112	Flexible Conduit Connector	2
7	102542	Oilite Flexible Conduit – 8-1/2"	1
8	ZA10956	10-24 Cup Point Set Screw	4
9	LC10014	Coupling	2
10	LB10266	Rolok 10-24 Self Tap Screw	6
11	LC10007	Shield	1
12	LB10041	Special Carriage Bolt	1
13	LC10005	Bearing Ring	2
14	R-30018	Adapter	1
15	R-40040	Timer Mounting Clip	2
16	R-40029	Electronic Timer 115v	1
16	R-40037	Electronic Timer 230v	1
17	ZZ10792	1/4-28 x 1-3/4" Soc. Cap Scr.	2
18	LC10003	Base, Sieve Shaker	1
20	ZF10183	3/8"-16 x 1.00 Hex Hd. Bolt	3
22	LB10111	Drive Pulley – 1-1/2" O.D.	1
23	ZA10148	10-24 x 3/8" Cup Point Set Scr.	1
24	LB10051	Pulley/Eccentric Assembly	1
25	LB10191	Flanged Stand Off Bushing	1
26	LC10006	Carrying Plate	1
27	ZF10168	3/8" Hard Washer	1
28	ZF10221	3/8"-16 Lock Nut	1
29	LB10201	Stand Off Bushing	2
30	LB10211	Drive Belt – 2L310	1
31	ZZ10801	1/4"-28 Black Lock Nut	2
32	ZZ10301	1/4" Flat Washer	6
33	ZF10184	5/16"-18 Black Hex Hd. Bolt	2
34	LC10010	12" Cover Clamping Plate	1
35	LC10011	8" Cover Clamping Plate	1
36	LC10009	12" to 8" Conversion Plate	1
37*	R-10018	110V Cord Set	1
38	LC10012	Arm	1

\* Items not shown

NOTES: \_\_\_\_\_

\_\_\_\_\_

\_\_\_\_\_

\_\_\_\_\_

\_\_\_\_\_

\_\_\_\_\_

\_\_\_\_\_

\_\_\_\_\_

\_\_\_\_\_

\_\_\_\_\_

\_\_\_\_\_

\_\_\_\_\_

\_\_\_\_\_

\_\_\_\_\_

\_\_\_\_\_

\_\_\_\_\_

\_\_\_\_\_

\_\_\_\_\_

\_\_\_\_\_

\_\_\_\_\_

\_\_\_\_\_

\_\_\_\_\_

## COMPUTERIZED PARTICLE ANALYZER (CPA) 2-1

- The HAVER TYLER CPA 2-1 is the newest member of the Photo-Optical Particle Size and Shape Analyzers.
- The HAVER TYLER CPA 2-1 is equipped with user friendly CPA software that is compatible with current Windows™ based operating systems.
- The unit can be operated with a desktop or laptop computer. Minimum software requirements are 850 MHZ, 1g hard drive and 512 RAM. The 2-1 software includes a feature that correlates CPA raw data to traditional test sieving results.
- The new model has been designed for laboratory use measuring dry, free flowing, non-agglomerating particles.
- The CPA unit is virtually maintenance free, durable, and can be used for “in-line” process applications as well.



### Technical Data:

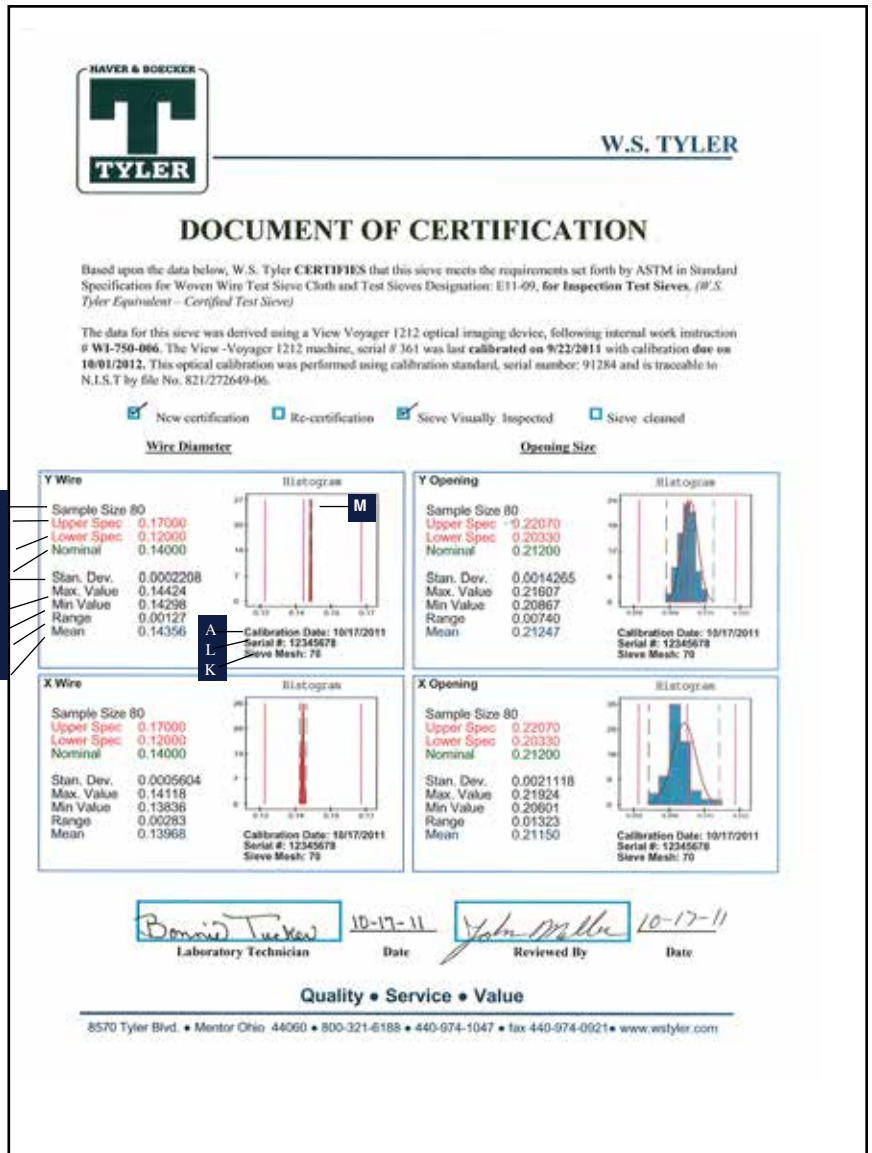
Measuring Range:	.034 mm (ASTM 400) - 25 mm (ASTM 1" OPG)
Operating Voltage:	230 v/50 Hz 120 v/60 Hz
Camera:	CCD - Line Camera
Light Source:	LED
Dimensions:	33" x 11" x 23"
Weight:	36 lbs.
Applications:	Sand, coal, sugar, salt, plastics, fertilizer, ceramics, glass, foods, pharmaceuticals and other industrial materials

W.S. Tyler Certified, Certified Plus and Matched Test Sieves are examined to meet ASTM and ISO specifications.

The openings of the sieves are measured with a computerized video imaging system. Products are then serialized and supplied with NIST traceable documents, including statistical information on opening sizes and wire diameters.

Shown here is a typical Document of Certification and descriptions of the terms used.

- A** Dimension Reference Number  
1 = Wire Diameter “x” direction  
2 = Aperture Size “x” direction  
3 = Wire Diameter “y” direction  
4 = Aperture Size “y” direction
- B** Sample Size\* = Number of apertures or wire diameters measured
- C** Upper Spec. = Aperture size per ASTM E11 specification, plus tolerance
- D** Lower Spec. = Aperture size per ASTM E11 specification, minus tolerance
- E** Nominal = Specified aperture size, per ASTM E11 specification
- F** Standard Deviation = A numerical value that measures “spreading” tendency, a deviation of the values from their mean (average)
- G** Max. Measured = The largest aperture or wire diameter measured
- H** Min. Measured = The smallest aperture or wire diameter measured
- I** Range = The difference between the “max” and “min” above (rounded)
- J** Mean = Average aperture size or wire diameter measured
- K** Description = Test sieve designation/ mesh size
- L** Serial No. = Identification number of test sieves
- M** Histogram = Graphic presentation of values measured vs. corresponding number of apertures examined



Laboratory Services Pages 12 and 13

## Canada

### W.S. TYLER CANADA LTD.

225 Ontario Street  
CA-ST. CATHARINES, Ontario L2R 7B6  
Phone: +1-905-688-2644  
+1-800-325-5993  
Fax: +1-905-688-4733  
E-Mail: sales@wstyler.ca  
Internet: www.wstyler.ca

## Brazil

### HAYER & BOECKER TELAS Ltda.

Rodovia Maria  
Da Piedade Costa, 995  
BRA-BARREIRO, Pedro Leopoldo / MG  
Teléfono: +55-316611371  
Fax: +55-3136611370  
E-Mail: telas@haverbrasil.com.br  
Internet: www.haverbrasil.com.br

## Great Britain

### H&B Wire Fabrications Ltd.

30-32 Tatton Court  
Kingsland Grange, Woolston  
GB-WARRINGTON, Cheshire WA1 4RR  
Phone: +44-1925-81 95 15  
Fax: +44-1925-83 17 73  
E-Mail: sales@hbwf.co.uk  
Internet: www.hbwf.co.uk

## U.S.A.

### W.S. TYLER

8570 Tyler Boulevard, MENTOR Ohio 44060  
Phone: +1-800-321-6188, +1-440-974-1047  
Fax: +1-440-974-0921  
E-Mail: wstyler@wstyler.com  
Internet: www.wstyler.com

## Belgium

### HAYER BELGIUM S.A.

Rue des Gaillettes 9  
B-4651 BATTICE  
Téléphone: +32-87-69 29 60  
Fax: +32-87-69 29 61  
E-Mail: hbsa@cybernet.be  
Internet: www.haverbelgium.com

## France

### HAYER & BOECKER

Toiles Métalliques  
7, Rue Sainte Catherine  
F-24100 BERGERAC  
Téléphone: +33-5-53 24 93 13  
Fax: +33-5-53 24 95 99  
E-Mail: haver.toiles@wanadoo.fr  
Internet:  
www.les-tissus-metalliques.com

## Spain

### HAYER & BOECKER

Telas Metalicas  
Avda. Les Bobiles, 7  
Casa 2  
E-08850 GAVA (Barcelona)  
Teléfono: +34-93-6 62 63 55  
Fax: +34-93-6 62 90 59  
E-Mail: haverboecker@telefonica.net  
Internet: www.telas-metalicas.com

## Belarus

### OOO HAYER BY

Ul. Zhukova, D.2  
BY-231295 LIDA, GRODNO  
Tel./Fax +375 154 600 656  
E-Mail: info@haver.by  
Internet: www.haver.by

## India

### HAYER STANDARD INDIA Pvt. Ltd.

Standard House, 83,  
Maharshi Karve Marg, P.O.Box 2082,  
IN-MUMBAI - 400 002  
Phone: 22-22060016 + 22060031  
Fax: 22-22086915  
E-Mail: wiremesh@haverstandard.com  
Internet: www.haverstandard.com

HAYER & BOECKER · Ennigerloher Straße 64 · 59302 OELDE · Germany  
Phone: +49-25 22-30 150 · Fax: +49-25 22-30 152  
E-Mail: cpa@haverboecker.com  
Internet: www.haverparticleanalysis.com